

Introducing Our New White PVC Compact Ball Valve

**Cepex introduces a new range of
PVC Compact Ball Valves with sizes from 1/2" to 2"**

Description

This new addition to the CEPEX valve family provides reliable performance at an exceptional price.

Color

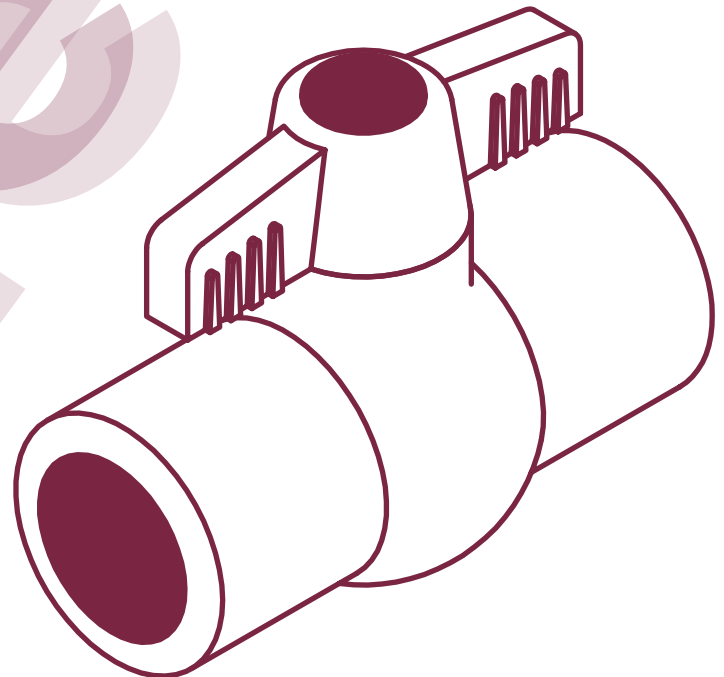
White

Characteristics and Benefits

- Sizes: 1/2" - 2".
- Pressure rating: see chart.
- End configurations: socket and threaded.
- Construction: PVC body, EPDM seals.
- No internal parts to replace: maintenance-free.
- Lightweight and compact.
- All-plastic construction: corrosion free.

Materials

- PVC Body
- PVC Stem and Ball
- EPDM Seals
- ABS Handle



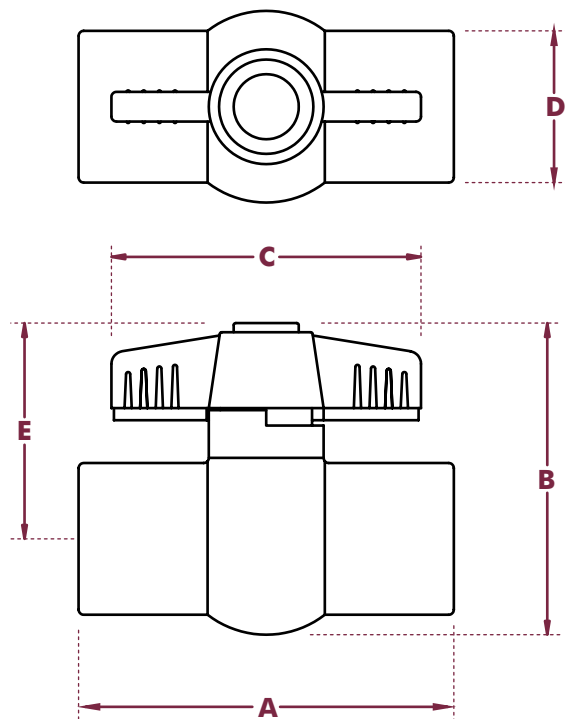
technical specifications

MATERIALS OF CONSTRUCTION:

BODY	PVC
BALL & STEM	PVC
O-RING	EPDM
HANDLE	ABS
CAP	ABS

OPERATING TEMPERATURE	100° F	110° F	120° F	130° F	140° F
MAXIMUM PRESSURE	235 PSI	211 PSI	150 PSI	75 PSI	50 PSI

THREADED VALVES NOT TO BE USED AT TEMPERATURES ABOVE 110° F



DIMENSIONS

SIZE	A	B	C	D	E
1/2"	3.15	2.44	2.76	1.19	1.83
3/4"	3.62	3.07	3.03	1.44	2.05
1"	3.86	3.66	3.98	1.75	2.56
1-1/4"	4.45	3.86	4.33	2.11	2.85
1-1/2"	5.16	4.53	4.33	2.44	2.89
2"	5.87	6.05	5.55	2.83	3.50

