



THE LATERAL CONNECTION CORP.

## Performance™ Series Compression Fittings, Valves and Saddles



Reliable Products for:

- IPS (OD) Poly Pipe
- CTS (OD) Poly Pipe
- Metric/NPT Poly Pipe

Approved by leading internationally  
recognized testing institutes



*"Tap Into The Source"*

[www.lateralconnection.com](http://www.lateralconnection.com)

# PP Compression Fittings

## Performance™ Series

### Description

- Polypropylene (PP) Compression Fittings for PE pressure piping applications.

### Tube

- IPS (OD)
  - For use on HDPE Pipe SDR 7.3 thru SDR 17. Sizes 1/2" - 4" (Blue Body)
  - For use on Sch 40/80 PVC Pipe with SS Gripper Ring. Sizes 1/2" - 2" (Blue Body)
- CTS (OD)
  - For use on Certified PE Pipe SDR 9 & SDR 11. Sizes 3/4" - 2" (Copper Body)
  - For use on Cross Linked Pipe PE SDR 9 for Cold Water Only. Sizes 3/4" - 2" (Copper Body)
  - For use on Copper Pipe with CTS SS Gripper Ring. Sizes 3/4" - 1" (Copper Body)
- METRIC/NPT in 16mm - 110mm (Gray Body)

### Working pressure

- Pressure rating: 200 PSI @ 73° F (23° C)

### Features

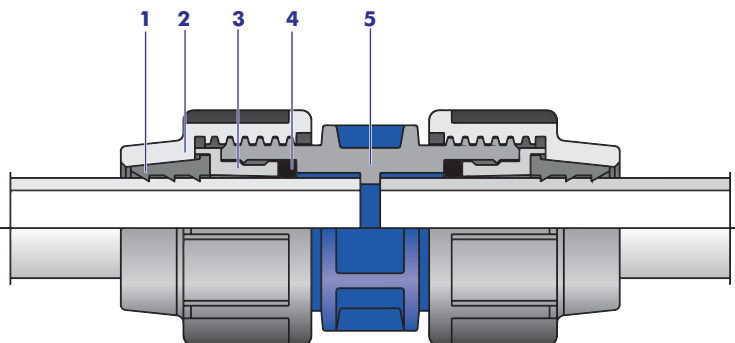
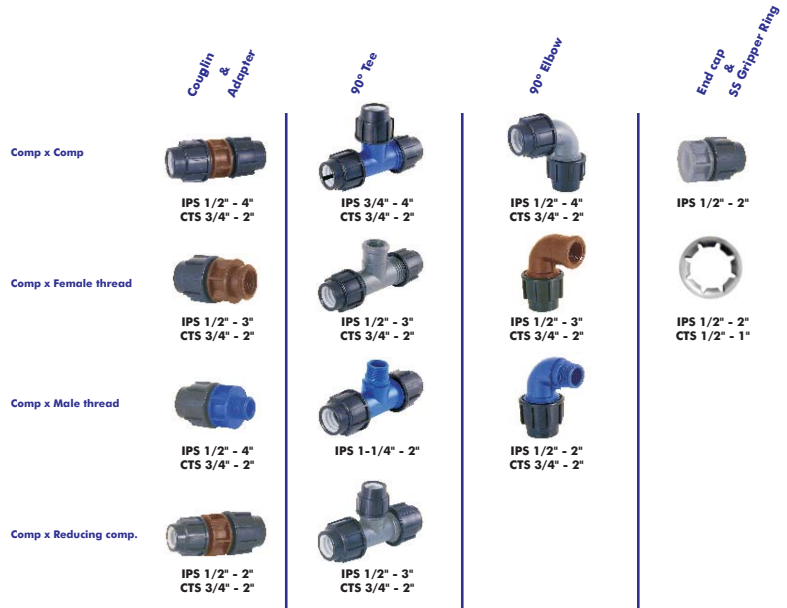
- Ease of installation.
- One source for all your IPS, CTS and Metric needs.
- Color coded.
- UV stabilized.
- Extensively used worldwide.
- ISO 9001 certified.

### Applications

- Water distribution
- Industrial
- Leachate Collection
- Irrigation
- Many other uses

### Specifications

- IPS (OD) • ASTM-F714 / ASTM-D3035 / ASTM-D-1599-99
- CTS (OD) • ASTM-D2737 / ASTM-D1248 / ASTM-D-1599-99
- METRIC/NPT • DIN EN 714/911 / ANSI-B-1.20.1-92
- COMPOSITE PIPE • ASTM-F1282



### Parts

N°	Description	Material
1	Split Ring	Acetalic resin POM
2	Nut	Polypropylene PP
3	Pipe Guide	Polypropylene PP
4	O-Ring	Drinking water rubber NBR
5	Body	Polypropylene PP

# PP Ball Valves

## Performance™ Series

### Description

- Polypropylene Ball Valves for PE pressure piping applications.

### Tube

- IPS (OD)
  - For use on HDPE Pipe SDR 7.3 thru SDR 17. Sizes 1/2" - 2" (Blue Body)
  - For use on Sch 40/80 PVC Pipe with SS Gripper Ring. Sizes 1/2" - 2" (Blue Body)
- CTS (OD)
  - For use on Certified PE Pipe SDR 9 & SDR 11. Sizes 3/4" - 2" (Copper Body)
  - For use on Cross Linked Pipe PE SDR 9 for Cold Water Only. Sizes 3/4" - 2" (Copper Body)
  - For use on Copper Pipe with CTS SS Gripper Ring. Sizes 3/4" - 1" (Copper Body)

### Working pressure

- Pressure rating: 200 PSI @ 73° F (23° C)

### Features

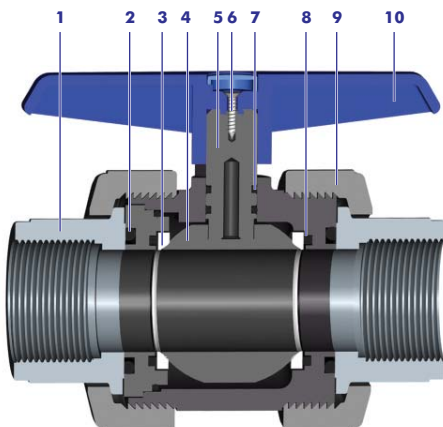
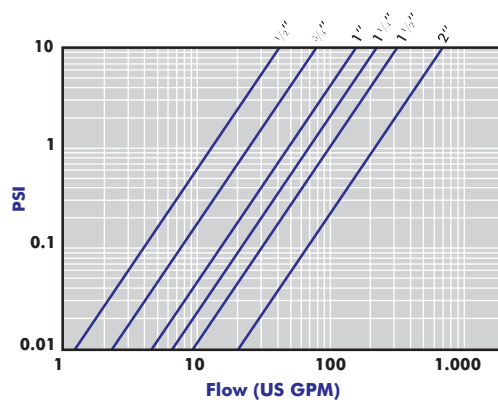
- Compression (IPS & CTS) & Threaded (NPT Male & Female) end connectors available.
- Fully serviceable.
- EPDM O-Rings.
- 100% hydro tested prior to leaving the factory.
- Extremely smooth handle operation.
- UV stabilized.
- Extensively used worldwide.
- ISO 9001 certified.
- Handles available in purple for Reclaim applications.

### Applications

- Water distribution
- Reclaim water
- Industrial
- Leachate Collection
- Irrigation
- Many other uses



Ball Valves Pressure Loss



### Parts

N°	Description	Material	N° Req.
1	End Connector	PP	2
2	End Connector O-Ring	EPDM	2
3	Seat	PE	2
4	Ball	PVC	1
5	Stem	PVC	1
6	Fastening Screw	Stainless Steel	1
7	Stem O-Ring	EPDM	2
8	Body O-Ring	EPDM	2
9	Nut	PP	2
10	Handle	PP	1

# Curb Stop Valves

## Performance™ Series

### Description

- Polypropylene Curb Stops for PE pressure piping applications.

### Tube

- IPS (OD)
  - For use on HDPE Pipe SDR 7.3 thru SDR 17. Sizes 1-1/4", 1-1/2" & 2"
  - For use on Sch 40/80 PVC Pipe with SS Gripper Ring. Sizes 1-1/4", 1-1/2" & 2"
- CTS (OD)
  - For use on Certified PE Pipe SDR 9 & SDR 11. Sizes 1-1/4", 1-1/2" & 2"
  - For use on Cross Linked Pipe PE SDR 9 for Cold Water Only. Sizes 1-1/4", 1-1/2" & 2"

### Working pressure

- Pressure rating: 200 PSI @ 73° F (23° C)

### Features

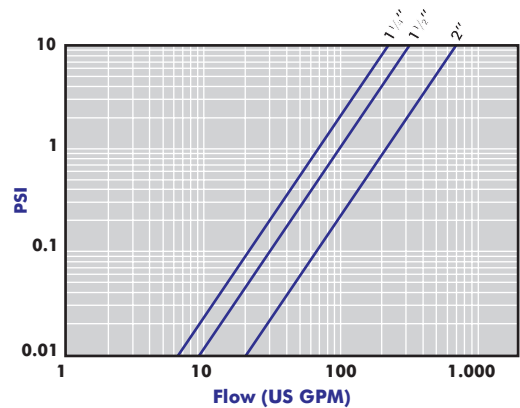
- Compression (IPS & CTS) & Threaded (Female) end connectors available.
- Fast and easy operation in small spaces.
- Inbuilt torque overload protection (ratcheting handle).
- Fully serviceable.
- EPDM O-Rings.
- 100% hydro tested prior to leaving the factory.
- Extremely smooth handle operation.
- Insert-less design.
- Color coded.
- UV stabilized.
- Extensively used worldwide.
- ISO 9001 certified.

### Applications

- Water distribution
- Reclaim water
- Industrial
- Leachate Collection
- Irrigation
- Many other uses

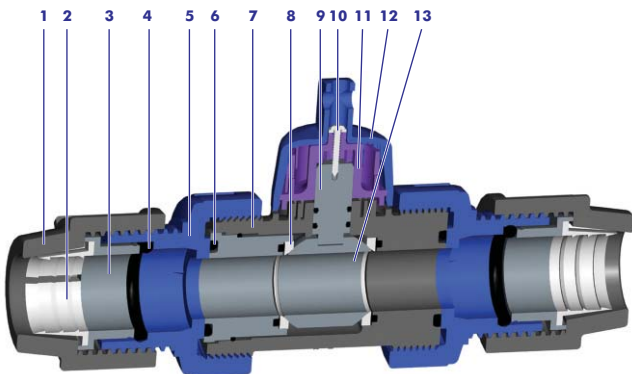


Curb Stops Pressure Loss



### Parts

N°	Description	Material	N° Req.
1	Nut	PP	2
2	Split Ring	POM	2
3	Pipe Guide	PP	2
4	O-Ring	EPDM	2
5	Valve Nut	PP	2
6	End Connector O-Ring	EPDM	2
7	Body	PP	1
8	Seat	PE	2
9	Stem	PVC	1
10	Fastening Screw	Stainless Steel	1
11	Handle Inner	POM	1
12	Handle Outer	POM	1
13	Ball	PVC	1



# PP Saddles

## Performance™ Series

### Description

- PP Saddles for PE pressure piping applications.

### Tube

- IPS (OD) • For use on HDPE Pipe SDR 7.3 - SDR 17. Sizes 1" - 6"
- For use on Sch 40 & Sch 80 PVC Pipe. Sizes 1" - 6"

### Working pressure

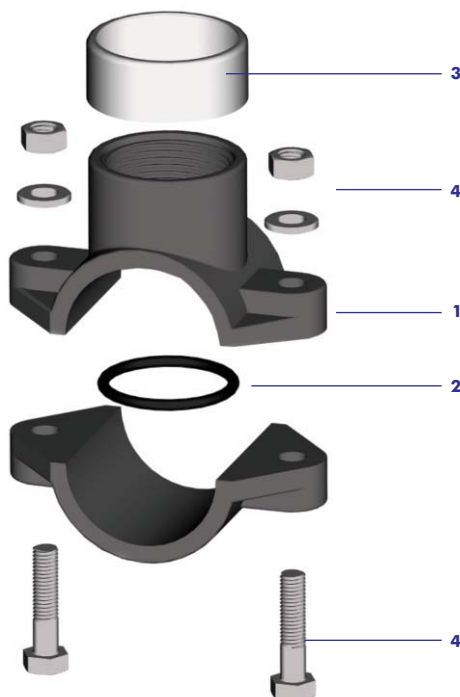
- Pressure rating: 200 PSI @ 73° F (23° C)

### Features

- NPT outlets, ranging from 3/4" to 3" for select sizes.
- Stainless steel outlet reinforcement ring.
- Ribbed SBR O-Ring.
- Indented body mold holds gasket in place.
- Ribbed body.
- Molded hex socket for bolt head to facilitate fastener-tightening.
- Nuts & bolts available in 18-8 stainless steel.
- UV stabilized.
- ISO 9001 certified.

### Applications

- Water distribution
- Reclaim water
- Industrial
- Leachate Collection
- Irrigation
- Many other uses



### Parts

N°	Description	Material
1	Body	PP
2	O-Ring	SBR
3	Retainer Ring	Stainless Steel
4	Nuts / Bolts	Stainless Steel

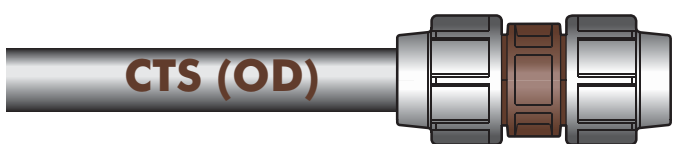
# TLC THE LATERAL CONNECTION CORP.

*"Tap Into The Source"*



**HDPE Pipe SDR 7.3 - SDR 17**

**Sch 40 / 80 PVC Pipe (with SS Gripper Ring)**



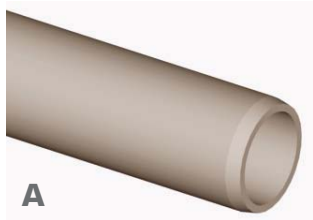
**PE Pipe (Municipal Service Tubing) SDR 9 & 11**

**Cross Linked PE Pipe (PEX) SDR 9 (Cold Water Only)**

**Copper Tubing (with SS Gripper Ring)**



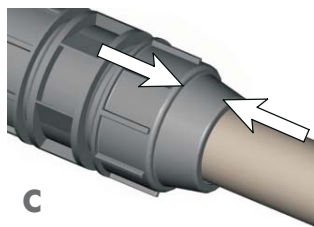
## Installation Instructions



**A**  
Cut pipe square with pipe cutters. Chamfer the pipe with the beveler tool. Apply neutral lubricant on pipe.



**B**  
Slacken the ring nut without removing from the body. Check that O-ring and split ring are in proper position.



**C**  
Insert the pipe end without tightening the nut. Push the fitting until the pipe stops at the O-ring and then push it past the O-ring until it reaches the next stop.



**D**  
Hand tighten the ring nut then tighten further with a strap / chain wrench.

## Tools

We recommend these tools for proper installation:



Beveler

Local distributor:

**Cepex Fittings & Valves are manufactured by Cepex Holding, S.A. and Internationally Distributed by THE LATERAL CONNECTION CORP.**

**TLC** THE LATERAL CONNECTION CORP.

**USA**  
6460 SW 50th Terrace  
Ocala, FL 34474  
Phone: 877-528-2660  
Fax: 888-302-7199

**Canada**  
27576 51A Ave  
Langley, BC V4W 4A9  
Phone: 604-856-7253 / 800-993-2599  
Fax: 604-856-7260 / 888-302-7199