

# PP Compression Fittings

## Performance™ Series

### Description

- Polypropylene (PP) Compression Fittings for PE pressure piping applications.

### Tube

- IPS (OD)
  - For use on HDPE Pipe SDR 7.3 thru SDR 17. Sizes 1/2" - 4" (Blue Body)
  - For use on Sch 40/80 PVC Pipe with SS Gripper Ring. Sizes 1/2" - 2" (Blue Body)
- CTS (OD)
  - For use on Certified PE Pipe SDR 9 & SDR 11. Sizes 3/4" - 2" (Copper Body)
  - For use on Cross Linked Pipe PE SDR 9 for Cold Water Only. Sizes 3/4" - 2" (Copper Body)
  - For use on Copper Pipe with CTS SS Gripper Ring. Sizes 3/4" - 1" (Copper Body)
- METRIC/NPT in 16mm - 110mm (Gray Body)

### Working pressure

- Pressure rating: 200 PSI @ 73° F (23° C)

### Features

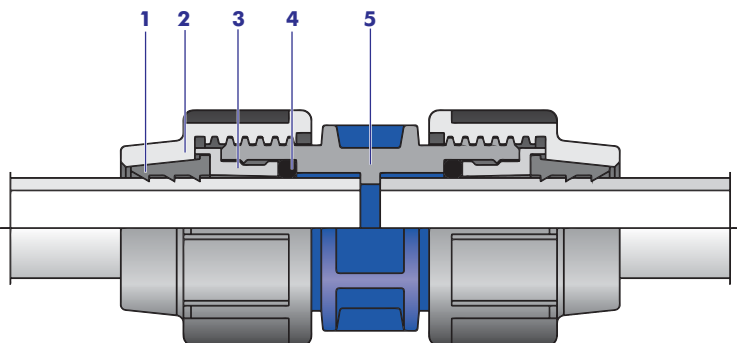
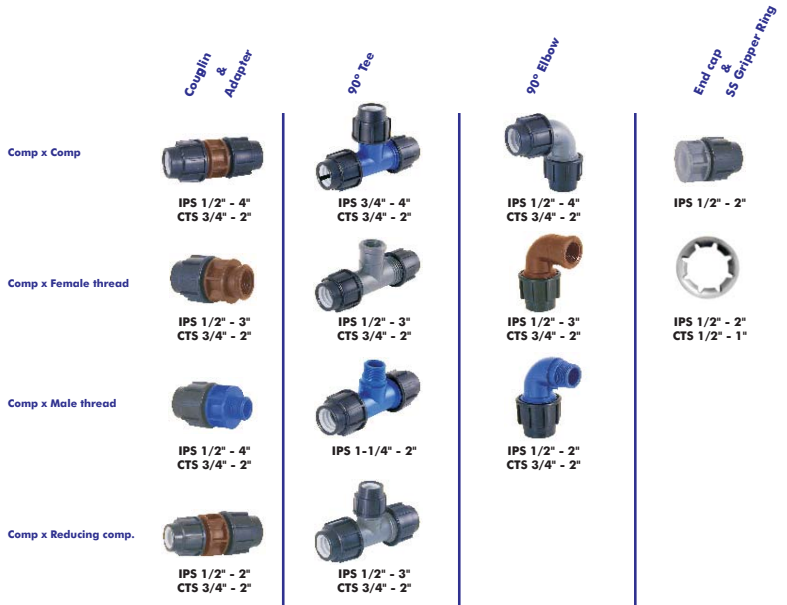
- Ease of installation.
- One source for all your IPS, CTS and Metric needs.
- Color coded.
- UV stabilized.
- Extensively used worldwide.
- ISO 9001 certified.

### Applications

- Water distribution
- Industrial
- Leachate Collection
- Irrigation
- Many other uses

### Specifications

- IPS (OD) • ASTM-F714 / ASTM-D3035 / ASTM-D-1599-99
- CTS (OD) • ASTM-D2737 / ASTM-D1248 / ASTM-D-1599-99
- METRIC/NPT • DIN EN 714/911 / ANSI-B-1.20.1-92
- COMPOSITE PIPE • ASTM-F1282



### Parts

N°	Description	Material
1	Split Ring	Acetalic resin POM
2	Nut	Polypropylene PP
3	Pipe Guide	Polypropylene PP
4	O-Ring	Drinking water rubber NBR
5	Body	Polypropylene PP