

# BALL VALVES & CURB STOPS

## CEPEX PERFORMANCE™ SERIES

### DESCRIPTION

Polypropylene Ball Valves and Curb Stops for PE pressure piping applications.

### TUBE

IPS(OD) For use on HDPE Pipe SDR 7.3 thru SDR 17 (Sizes 3/4" - 4")  
For use on Sch 40/80 PVC Pipe with SS Gripper Ring (Sizes 3/4" - 2")  
(Ball Valve Sizes 3/4" - 2", Curb Stops Sizes 1-1/4" - 2")

CTS(OD) For use on Certified PE Pipe SDR 9 & SDR 11 (Sizes 3/4" - 2")  
For use on Cross Linked Pipe PE SDR 9 for Cold Water Only (Sizes 3/4" - 2")  
For use on Copper Pipe with CTS SS Gripper Ring (Sizes 3/4" - 1")  
(Ball Valve Sizes 3/4" - 2", Curb Stop & Curb/Check Assembly Sizes 1-1/4" - 2")

### WORKING PRESSURE

At 73° F (23° C) 3/4" - 2" rated to 200 PSI working pressure

### FEATURES

Compression (IPS & CTS) & FIPT end connectors available  
Curb Stop handle has built in torque overload protection (ratcheting handle)  
No Inserts Required  
Fully Serviceable  
EPDM O-Rings  
Color coded  
UV stabilized  
Extensively used worldwide  
ISO 9001 certified

### APPLICATIONS

Water Service  
Low Pressure Sewer  
Reclaim Water  
Industrial  
Leachate Collection  
Irrigation  
Many other uses

### SPECIFICATIONS

IPS(OD) ASTM-F714 / ASTM-D3035 / ASTM-D-1599-99 / NSF 61

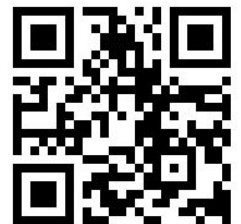
CTS(OD) ASTM-D2737 / ASTM-D1248 / ASTM-D-1599-99 / NSF 61 / CSA B137.1



3/4" - 2" Ball Valves



1-1/4" - 2" Curb Stops



## PARTS - BALL VALVES

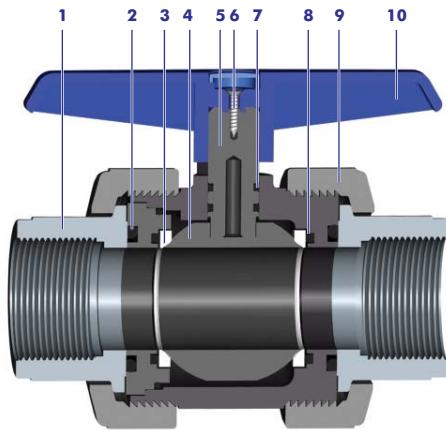


FIG.	Material	Description
1	PP	End Connector x 2
2	EPDM	End Connector O-Ring x 2
3	PE	Seat
4	PVC	Ball
5	PVC	Stem
6	304 SS	Fastening Screw
7	EPDM	Stem O-Ring x 2
8	EPDM	Body O-Ring x 2
9	PP	Nut x 2
10	PP	Handle

## PARTS - CURB STOPS

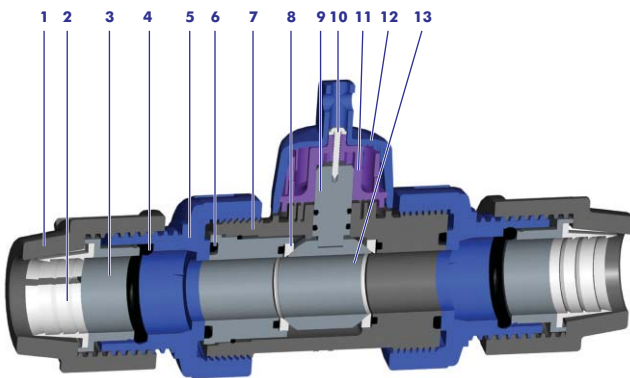


FIG.	Material	Description
1	PP	Nut x 2
2	POM	Split Ring x 2
3	PP	Pipe Guide x 2
4	EPDM	O-ring x 2
5	PP	Valve Nut x 2
6	EPDM	End Connector O-ring x 2
7	PP	Body
8	PE	Seat x 2
9	PVC	Stem
10	304 SS	Fastening Screw
11	POM	Handle Inner
12	POM	Handle Outer
13	PVC	Ball



**HDPE Pipe SDR 7.3 - SDR 17**

**Sch 40 / 80 PVC Pipe (with SS Gripper Ring)**



**PE Pipe (Municipal Service Tubing) SDR 9 & 11**

**Cross Linked PE Pipe (PEX) SDR 9 (Cold Water Only)**

**Copper Tubing (with SS Gripper Ring)**