

COMPRESSION FITTINGS

CEPEX PERFORMANCE™ SERIES

DESCRIPTION

Polypropylene (PP) Compression Fittings for PE pressure piping applications.

TUBE

IPS(OD) For use on HDPE Pipe SDR 7.3 thru SDR 17 (Sizes 3/4" - 4")
For use on Sch 40/80 PVC Pipe with SS Gripper Ring (Sizes 3/4" - 2")

CTS(OD) For use on Certified PE Pipe SDR 9 & SDR 11 (Sizes 3/4" - 2")
For use on Cross Linked Pipe PE SDR 9 for Cold Water Only (Sizes 3/4" - 2")
For use on Copper Pipe with CTS SS Gripper Ring (Sizes 3/4" - 1")

WORKING PRESSURE

At 73° F (23° C) 3/4" - 2" rated to 200 PSI working pressure
At 73° F (23° C) 3" - 4" rated to 150 PSI working pressure

FEATURES

- Ease of installation
- No Inserts Required
- One source for all your IPS & CTS needs
- Color coded
- UV stabilized
- Extensively used worldwide
- ISO 9001 certified

APPLICATIONS

- Water Service
- Low Pressure Sewer
- Industrial Leachate Collection
- Irrigation
- Many other uses

SPECIFICATIONS

IPS(OD) ASTM-F714 / ASTM-D3035 / ASTM-D-1599-99 / NSF 61

CTS(OD) ASTM-D2737 / ASTM-D1248 / ASTM-D-1599-99 / NSF 61 / CSA B137.1














Comp x Comp

Comp x Female Thread

Comp x Comp Reducing

Comp x Male Thread

	Coupling & Adapter	90° Tee	90° Elbow	End Cap & SS Gripper Ring
Comp x Comp	 IPS 1/2" - 4" CTS 3/4" - 2"	 IPS 3/4" - 4" CTS 3/4" - 2"	 IPS 1/2" - 4" CTS 3/4" - 2"	 IPS 1/2" - 2"
Comp x Female Thread	 IPS 1/2" - 3" CTS 3/4" - 2"	 IPS 1/2" - 3" CTS 3/4" - 2"	 IPS 1/2" - 3" CTS 3/4" - 2"	 IPS 1/2" - 2" CTS 3/4" - 1"
Comp x Comp Reducing	 IPS 3/4" - 2" CTS 1" - 2"	 IPS 3/4" - 3" CTS 1" - 2"		
Comp x Male Thread	 IPS 1/2" - 4" CTS 3/4" - 2"			

PARTS

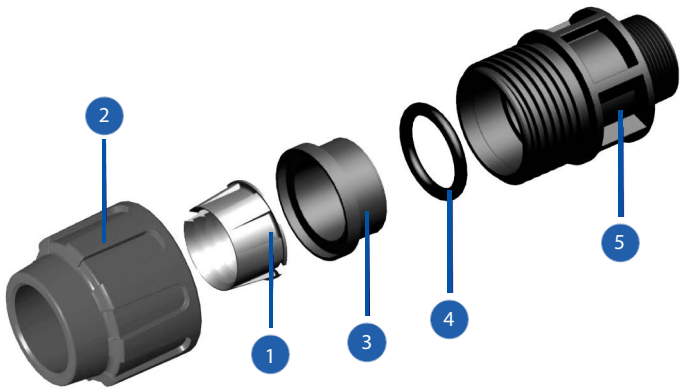
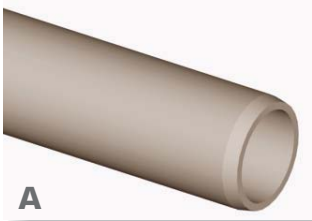


FIG.	Parts	Material
1	Split Ring	POM
2	Nut	PP
3	Insert	PP
4	O-ring	NBR 70 (POTABLE WATER)
5	Body	PP

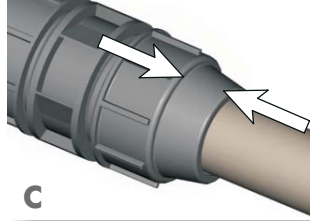
INSTALLATION INSTRUCTIONS



A
Cut pipe square with pipe cutters. Chamfer the pipe with the beveler tool. Apply neutral lubricant on pipe.



B
Slacken the ring nut without removing from the body. Check that O-ring and split ring are in proper position.



C
Insert the pipe end without tightening the nut. Push the fitting until the pipe stops at the O-ring and then push it past the O-ring until it reaches the next stop.



D
Hand tighten the ring nut then tighten further with a strap / pipe wrench.

TOOLS

We recommend these tools for proper installation:



Beveler



HDPE Pipe SDR 7.3 - SDR 17

Sch 40 / 80 PVC Pipe (with SS Gripper Ring)



PE Pipe (Municipal Service Tubing) SDR 9 & 11

Cross Linked PE Pipe (PEX) SDR 9 (Cold Water Only)

Copper Tubing (with SS Gripper Ring)

SADDLES

LATERAL HINGED SERIES & CEPEX CLAMP SERIES

DESCRIPTION

Polypropylene (PP) Saddles for PE pressure piping applications.

TUBE

IPS(OD) For use on HDPE Pipe SDR 7.3 thru SDR 17 (Sizes 1-1/2", 2", 3" & 4")
For use on Sch 40 & Sch 80 PVC Pipe. (Sizes 1-1/2", 2", 3" & 4")

WORKING PRESSURE

At 73° F (23° C) 1-1/2" - 4" rated to 150 PSI working pressure

FEATURES

NPT Outlets, ranging from 1/2" to 2" for select sizes
Reinforced thickness around outlet
Indented body mold holds SBR gasket in place
Molded hex socket for nut to facilitate fastener-tightening
Epoxy Coated Nuts & bolts in 18-8 stainless steel
UV Stabilized
Made in Canada (1-1/2" Made in Spain)

APPLICATIONS

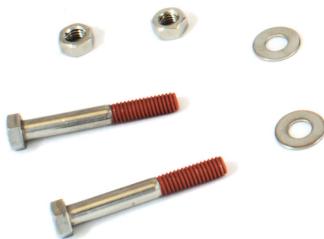
Irrigation
Water Service
Reclaimed Water
Low Pressure Sewer
Many other uses



2", 3" & 4" Lateral Hinged 2-Bolt Series



1-1/2" CEPEX 2-Bolt Series



Epoxy Coated Saddle Hardware

SS GRIPPER RING ADAPTERS

FOR USE WITH
CEPEX PERFORMANCE™ SERIES

DESCRIPTION

Stainless Steel (SS) Gripper Ring Adapters for PVC/Copper pressure piping applications.

TUBE

IPS(OD) For use on Sch 40/80 PVC Pipe with IPS Cepex Performance Series Fittings (Sizes 1/2" - 2")

CTS(OD) For use on Copper Pipe with CTS Cepex Performance Series Fittings (Sizes 3/4" - 1")

WORKING PRESSURE

At 73° F (23° C) 3/4" - 2" rated to 200 PSI working pressure

FEATURES

Ease of installation
One source for all your IPS & CTS Needs
304 Stainless Steel Material
Extensively used across North America
UV stabilized
Extensively used worldwide
ISO 9001 certified

APPLICATIONS

Water Service
Low Pressure Sewer
Industrial
Leachate Collection
Irrigation
Many other uses

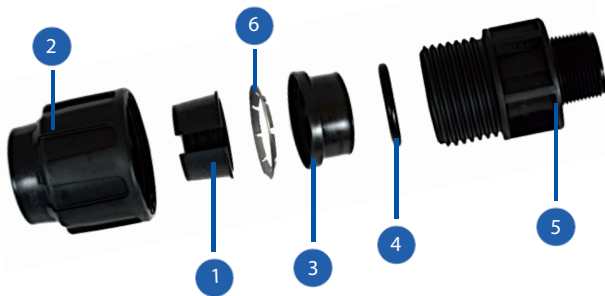
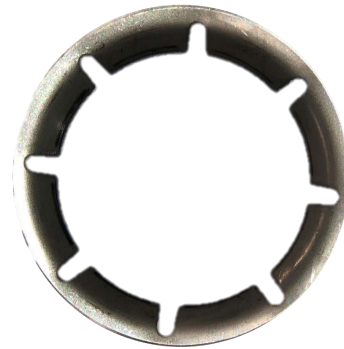


FIG.	Parts	Material
1	Split Ring	POM
2	Nut	PP
3	Insert	PP
4	O-ring	NBR 70 (POTABLE WATER)
5	Body	PP
6	Grip Ring	SS

BALL VALVES & CURB STOPS

CEPEX PERFORMANCE™ SERIES

DESCRIPTION

Polypropylene Ball Valves and Curb Stops for PE pressure piping applications.

TUBE

IPS(OD) For use on HDPE Pipe SDR 7.3 thru SDR 17 (Sizes 3/4" - 4")
For use on Sch 40/80 PVC Pipe with SS Gripper Ring (Sizes 3/4" - 2")
(Ball Valve Sizes 3/4" - 2", Curb Stops Sizes 1-1/4" - 2")

CTS(OD) For use on Certified PE Pipe SDR 9 & SDR 11 (Sizes 3/4" - 2")
For use on Cross Linked Pipe PE SDR 9 for Cold Water Only (Sizes 3/4" - 2")
For use on Copper Pipe with CTS SS Gripper Ring (Sizes 3/4" - 1")
(Ball Valve Sizes 3/4" - 2", Curb Stop & Curb/Check Assembly Sizes 1-1/4" - 2")

WORKING PRESSURE

At 73° F (23° C) 3/4" - 2" rated to 200 PSI working pressure

FEATURES

Compression (IPS & CTS) & FIPT end connectors available
Curb Stop handle has built in torque overload protection (ratcheting handle)
No Inserts Required
Fully Serviceable
EPDM O-Rings
Color coded
UV stabilized
Extensively used worldwide
ISO 9001 certified

APPLICATIONS

Water Service
Low Pressure Sewer
Reclaim Water
Industrial
Leachate Collection
Irrigation
Many other uses

SPECIFICATIONS

IPS(OD) ASTM-F714 / ASTM-D3035 / ASTM-D-1599-99 / NSF 61

CTS(OD) ASTM-D2737 / ASTM-D1248 / ASTM-D-1599-99 / NSF 61 / CSA B137.1



3/4" - 2" Ball Valves



1-1/4" - 2" Curb Stops

PARTS - BALL VALVES

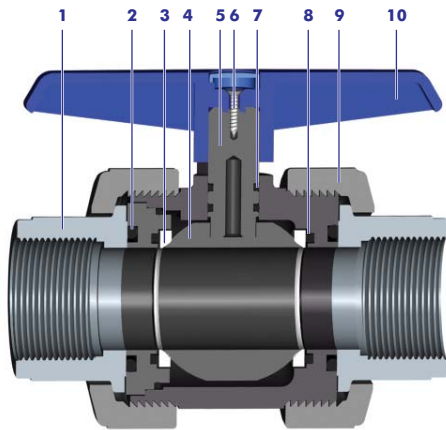


FIG.	Material	Description
1	PP	End Connector x 2
2	EPDM	End Connector O-Ring x 2
3	PE	Seat
4	PVC	Ball
5	PVC	Stem
6	304 SS	Fastening Screw
7	EPDM	Stem O-Ring x 2
8	EPDM	Body O-Ring x 2
9	PP	Nut x 2
10	PP	Handle

PARTS - CURB STOPS

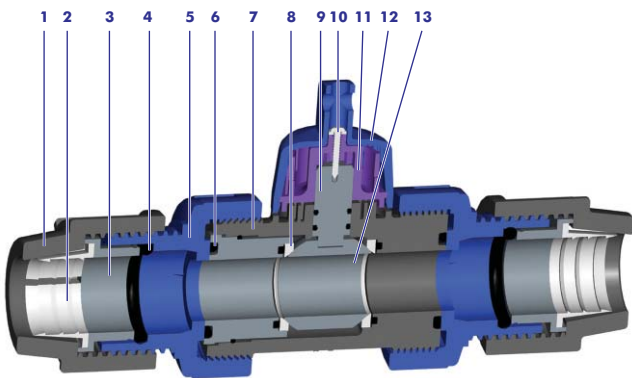


FIG.	Material	Description
1	PP	Nut x 2
2	POM	Split Ring x 2
3	PP	Pipe Guide x 2
4	EPDM	O-ring x 2
5	PP	Valve Nut x 2
6	EPDM	End Connector O-ring x 2
7	PP	Body
8	PE	Seat x 2
9	PVC	Stem
10	304 SS	Fastening Screw
11	POM	Handle Inner
12	POM	Handle Outer
13	PVC	Ball



HDPE Pipe SDR 7.3 - SDR 17

Sch 40 / 80 PVC Pipe (with SS Gripper Ring)



PE Pipe (Municipal Service Tubing) SDR 9 & 11

Cross Linked PE Pipe (PEX) SDR 9 (Cold Water Only)

Copper Tubing (with SS Gripper Ring)

CURB STOP/SWING CHECK VALVES

PP/PVC
PP/316 SS

DESCRIPTION

Polypropylene Curb Stop / PVC or 316 SS Swing Check Assemblies for PE/PVC pressure piping applications.

TUBE

IPS(OD) For use on HDPE Pipe SDR 7.3 thru SDR 17 (Sizes 1-1/4" - 2")
For use on Sch 40/80 PVC Pipe with SS Gripper Ring (Sizes 1-1/4" - 2")

CTS(OD) For use on Certified PE Pipe SDR 9 & SDR 11 (Sizes 1-1/4" - 2")
For use on Cross Linked Pipe PE SDR 9 for Cold Water Only. (Sizes 1-1/4" - 2")

WORKING PRESSURE

PP Curb Stop / PVC Check Valve at 73° F (23° C) curb stop rated to 200 PSI,
swing check rated to 125 PSI
PP Curb Stop / 316 SS Check Valve at 73° F (23° C) 1-1/2" - 2" rated to 200 PSI

FEATURES

Compression (IPS & CTS) & FIPT end connectors available
Curb Stop handle has built in torque overload protection (ratcheting handle)
Check Valves available in PVC or 316 SS
No Inserts Required
Fully Serviceable
EPDM O-Rings
Color coded
Curb Stop is UV stabilized
Pre-assembled prior to leaving factory
ISO 9001 certified

APPLICATIONS

Low Pressure Sewer



1-1/4" IPS PP CURB STOP/PVC SWING CHECK ASSEMBLY



1-1/2" IPS PP CURB STOP/SS SWING CHECK ASSEMBLY

CURB STOP/SWING CHECK VALVES

316 STAINLESS STEEL

DESCRIPTION

316 Stainless Steel Curb Stop / Swing Check FIPT Assemblies for PE/PVC pressure piping applications.

TUBE

IPS(OD) For use on HDPE Pipe SDR 7.3 thru SDR 17 (Sizes 1-1/4" - 2" with Cepex Male Adapters)
For use on Sch 40/80 PVC Pipe with SS Gripper Ring (Sizes 1-1/4" - 2" with Cepex Male Adapters)

CTS(OD) For use on Certified PE Pipe SDR 9 & SDR 11 (Sizes 1-1/4" - 2" with Cepex Male Adapters)
For use on Cross Linked Pipe PE SDR 9 for Cold Water Only. (Sizes 1-1/4" - 2" with Cepex Male Adapters)

WORKING PRESSURE

At 73° F (23° C) 1-1/4" - 2" rated to 200 PSI

FEATURES

Female NPT threaded for easy adaptation to IPS/CTS polyethylene & PVC Pipe with Cepex Male Adapters

316 Stainless Steel Construction

Compact one piece design with curb stop, clean out and check valve
Fully Serviceable Check Valve with vertical service port



1-1/4" SS Curb Stop / Swing Check Valve FNPT

APPLICATIONS

Low Pressure Sewer

PARTS - CURB STOPS

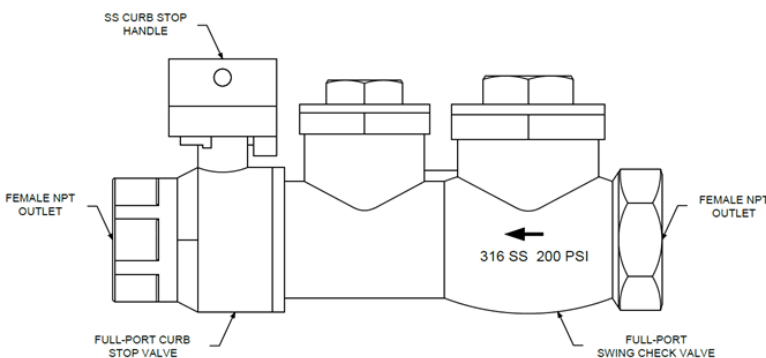


FIG.	Material	Description
1	316 SS	Curb Stop
2	316 SS	Swing Check
3	PTFE	Seats
4	RPTFE	Valve Stem Packing

SS FLEXIBLE HOSE

316 STAINLESS STEEL

DESCRIPTION

316 Stainless Steel Flexible Hose MIPT for PE/PVC pressure piping applications.

TUBE

- IPS(OD) For use on HDPE Pipe SDR 7.3 thru SDR 17 (Sizes 1-1/4" with Cepex Female Adapters)
For use on Sch 40/80 PVC Pipe with SS Gripper Ring (Sizes 1-1/4" with Cepex Female Adapters)
- CTS(OD) For use on Certified PE Pipe SDR 9 & SDR 11 (Sizes 1-1/4" with Cepex Female Adapters)
For use on Cross Linked Pipe PE SDR 9 for Cold Water Only. (Sizes 1-1/4" with Cepex Female Adapters)

WORKING PRESSURE

At 73° F (23° C) 1-1/4" rated to 200 PSI

FEATURES

- Male NPT threaded for easy adaptation to IPS/CTS polyethylene & PVC Pipe with Cepex Female Adapters
- 316 Stainless Steel Construction
- Braided hose provides flexibility at grinder pump connection



1-1/4" 316 SS Flexibe Hose MNPT

APPLICATIONS

Low Pressure Sewer

PARTS - FLEXIBLE HOSE



FIG.	Material	Description
1	316 SS	Braided Hose
2	316 SS	MIPT Threaded Ends