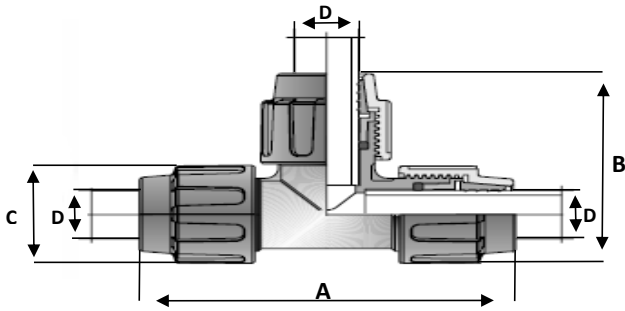
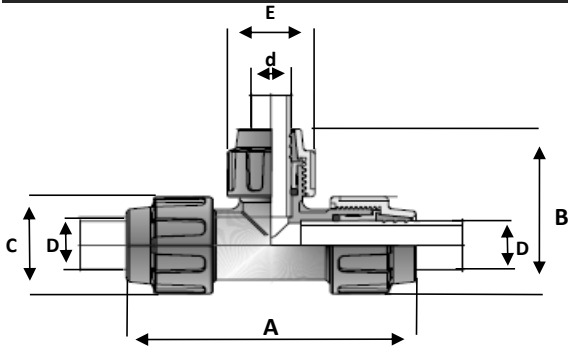


TEES



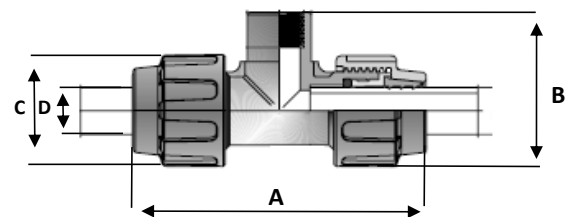
IPS TEE COMP x COMP x COMP					
SIZE	CODE	A	B	C	PIPE OD (D)
1/2"	21887	4.80	3.30	1.73	0.84
3/4"	22211	5.83	3.96	2.19	1.05
1"	21888	7.48	4.91	2.55	1.32
1-1/4"	21889	9.11	6.14	3.15	1.66
1-1/2"	21890	10.20	6.93	3.61	1.9
2"	21891	11.81	8.19	4.47	2.38
3"	26786	16.54	11.22	5.98	3.50
4"	28118	18.82	12.99	7.17	4.50

CTS TEE COMP x COMP x COMP					
SIZE	CODE	A	B	C	PIPE OD (D)
3/4"	24007	3.96	3.98	2.19	0.88
1"	24008	4.91	4.99	2.55	1.13
1-1/4"	24009	9.11	6.11	3.15	1.38
1-1/2"	24010	9.11	6.11	3.15	1.63
2"	24011	10.20	6.93	3.61	2.13



IPS REDUCING TEE COMP x COMP x COMP						
SIZE	CODE	A	B	C	E	PIPE OD (D x d)
3/4" x 1/2"	21894	5.83	3.71	2.19	1.73	1.08 x 0.84
1" x 3/4"	21895	7.48	4.59	2.55	2.19	1.32 x 1.05
1-1/4" x 1"	21896	9.09	5.39	3.15	2.55	1.66 x 1.32
1-1/2" x 1-1/4"	21897	10.20	6.56	3.61	3.15	1.90 x 1.66
2" x 1-1/4"	24110	11.81	8.03	4.47	3.15	2.38 x 1.66
2" x 1-1/2"	21898	11.81	7.76	4.47	3.61	2.38 x 1.90
3" x 2"	24109	16.54	10.08	5.85	4.47	3.50 x 2.38

CTS REDUCING TEE COMP x COMP x COMP						
SIZE	CODE	A	B	C	E	PIPE OD (D x d)
1" x 3/4"	24436	7.48	4.59	2.55	2.19	1.13 x 0.88



IPS TEE COMP x COMP x FIPT					
SIZE	CODE	A	B	C	PIPE OD (D)
3/4" x 1/2"	21904	5.83	3.07	2.19	1.05
3/4"	21905	5.83	3.07	2.19	1.05
1" x 1/2"	21906	7.48	3.44	2.55	1.32
1" x 3/4"	21907	7.48	3.66	2.55	1.32
1"	21908	7.48	3.84	2.55	1.32
1-1/4"	21909	9.11	4.69	3.15	1.66
1-1/2"	21910	10.23	5.33	3.61	1.90
1-1/2" x 2"	21911	10.23	5.39	3.61	1.90
2"	21912	11.81	6.34	4.47	2.38
3"	26789	16.54	6.54	5.98	3.50

CTS TEE COMP x COMP x FIPT				
SIZE	CODE	A	B	PIPE OD (D)
3/4"	24012	5.83	3.07	0.88
1" x 3/4"	24017	7.48	3.66	1.13
1"	24013	7.42	3.84	1.13
1-1/4" x 3/4"	24018	9.11	4.87	1.38
1-1/4" x 1"	24019	9.11	4.87	1.38
1-1/2" x 3/4"	20420	9.11	4.87	1.63
1-1/2" x 1"	24021	9.11	4.87	1.63
1-1/2"	24015	9.11	4.87	1.63
2" x 1"	24023	10.23	6.92	2.13
2"	24016	10.23	6.92	2.13

